

Truss-Style Cinefold

For larger-than-life presentations.

The TRUSS-STYLE CINEFOLD has extra-rigid truss-style frames and legs constructed of parallel sections of 1" square hard-alloy aluminum tubing, heliarc welded to form a sturdy 6" wide truss. All aluminum is clear satin anodized for long life; steel parts are cadmium plated. Truss frames have 6" wide piano hinges reinforced by two positive locking hinge latches and a HANDY CRANK directly through the hinge point.

All TRUSS-STYLE CINEFOLDS include heavy-duty legs and anti-sway stabilizers.

System Options

- **Viewing Surfaces**—TRUSS-STYLE CINEFOLDS are available with flexible matt white front and CINEFLEX rear projection surfaces.
- **Carrying Case**—Two or more heavy-duty, molded polyethylene wheeled carrying cases are included. Dimensions are 13" H x 20⁵/₈" W x 84¹/₈" L.
- **Dress Kits**—Optional Dress Kit includes: 44" skirt, 12" valance and two 32" side drapes, all in rich velour. Tubular aluminum valance bar and drapery bars attach without tools to the DRESS KIT fittings found on all TRUSS-STYLE CINEFOLD frames. The viewing surface is fitted with snaps to accept the skirt or select optional adjustable skirt bar. Skirt bar allows for adjustment of screen size and aspect ratio by raising the skirt in 6" increments.

Overall Size	Image Area	Shipping Wt. (lbs.)	No. Cases
Square Format (1:1)			
9' x 9'	8' x 8'	220	2
10' x 10'	9' x 9'	220	2
11' x 11'	10' x 10'	230	2
13' x 13'	12' x 12'	240	2
NTSC Format (4:3)			
7' x 9'	6' x 8'	215	2
8'6" x 11'	7'6" x 10'	220	2
10' x 13'	9' x 12'	230	2
11'6" x 15'	10'6" x 14'	255	2
13' x 17'	12' x 16'	265	2
16' x 21'	15' x 20'	275	2
19' x 25'	18' x 24'	310	3
HDTV Format (16:9)			
10' x 17'	9' x 16'	220	2
11' x 19'	10' x 18'	240	2
12'3" x 21'	11'3" x 20'	255	2
14'6" x 25'	13'6" x 24'	300	3

Please note: Shipping weight and number of cases are based on one TRUSS-STYLE CINEFOLD, with frame, heavy-duty legs, anti-sway stabilizers, one viewing surface in pouch and carrying cases. Screens with additional viewing surfaces and hardware will be heavier and may require additional cases.



L-Brace

All CINEFOLDS over 25' wide feature a special back brace consisting of a full-width truss attached to the top of the frame at right angles to the screen. Adds strength and prevents sagging, while maintaining complete portability.



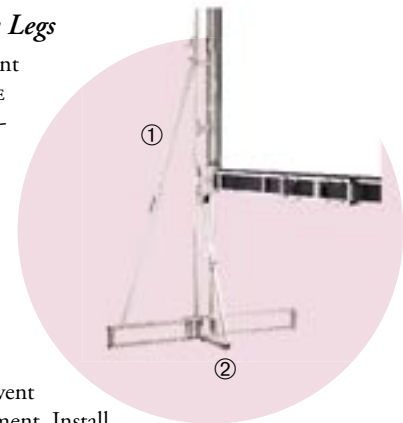
Frame Stiffeners

All horizontal hinges on TRUSS-STYLE CINEFOLDS are reinforced by truss frame stiffeners, which mount across the back of the hinge and are held rigidly in place by 8 HANDY CRANKS.



① Heavy-Duty Legs

Standard equipment on all TRUSS-STYLE CINEFOLDS, heavy-duty legs reinforce against front-to-back movement.

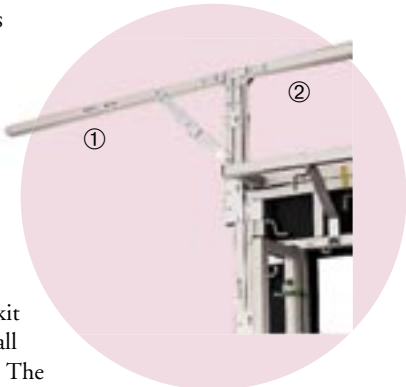


② Anti-Sway Stabilizers

Furnished with all TRUSS-STYLE CINEFOLDS to prevent side-to-side movement. Install to inside or outside of truss foot.

Dress Kits

A complete DRESS KIT includes: 44" skirt, 12" valance and two 32" side drapes, all in rich velour. Tubular aluminum side drapery bars ① and valance bar ② attach without tools to the dress kit fittings found on all CINEFOLD frames. The viewing surface is fitted with snaps to accept the skirt, or select optional adjustable skirt bar. Skirt bar allows for adjustment of screen size and aspect ratio by raising the skirt in 6" increments.



Handy Cranks

HANDY CRANKS are 5/16" dia. crankbolts, for quick assembly without tools for both the CINEFOLD and TRUSS-STYLE CINEFOLD.