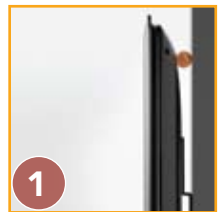




## FEATURES

- 1 ULTRA-LOW PROFILE**  
Less than the width of a penny, the PSMT is specially designed to compliment today's thinnest flat panel TVs.
- 2 EXCLUSIVE GLIDE LOCK™ LATCH**  
Tool-less locking feature saves time and effectively secures flat panel to wall mount.
- EASY INSTALLATION**  
Ships fully assembled.
- 3 INTEGRATED LATERAL SHIFT**  
Reposition mount left or right after installation for ultimate positioning flexibility.



## SPECIFICATIONS

Dimensions*	10" x 25.25" x .49" (HxWxD) (254 x 641 x 12 mm)
Color	Black
Weight Capacity	175 lbs (79.3 kg)

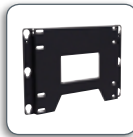
\* Dimensions vary depending on model number.

## WHAT YOU NEED TO KNOW

### ORDERING OPTIONS

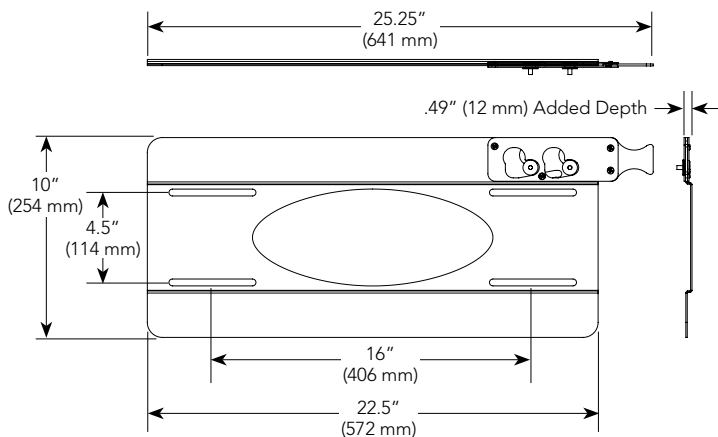
PSMT mounts are built custom for each brand. Be sure to check Mount-Finder at [www.chiefmfg.com](http://www.chiefmfg.com) for compatibility.

### OTHER PRODUCT OPTIONS



**PSM™**  
Custom, Fixed Wall Mount

## TECHNICAL DRAWINGS



\*PSMT2015 shown

## RECOMMENDED ACCESSORIES



**PAC520** ■ Multiple Option New Construction Pre-Wire Box



**PX2W** ■ Power Outlet Conditioner



**PAC521P** ■ In-Wall Box with Power Outlet Conditioner

For a complete list of flat panel mount accessories see page 73.