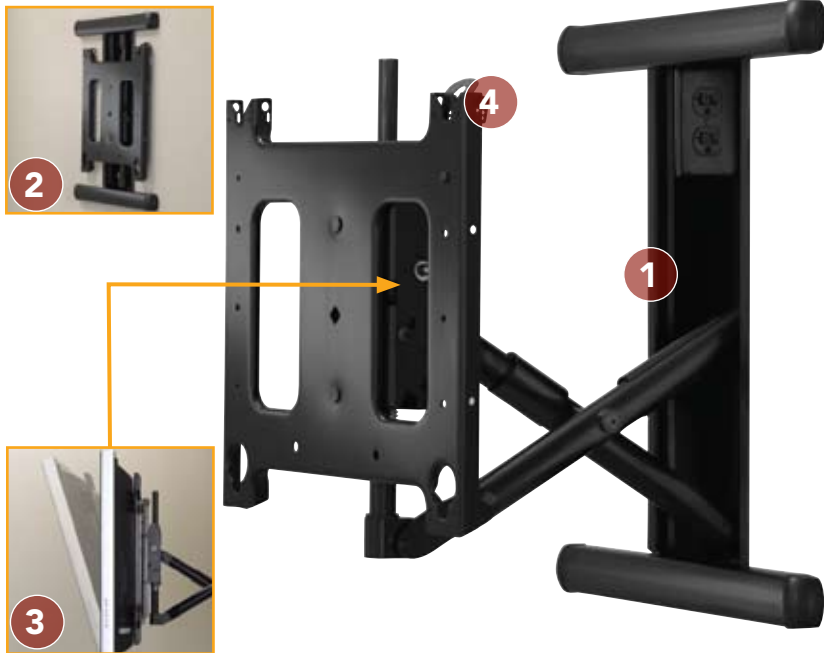




# IN-WALL MOUNTS PIWRF™ IN-WALL SWING ARM

## 42-71" Flat Panels



### FEATURES

- 1 LIMITLESS CENTERING**  
Center flat panel at any position on wall between 16" center studs without cutting studs. No header/footer necessary!
- 2 LOW PROFILE**  
Designed to ensure mount remains concealed behind the screen.
- 3 CENTRIS™ FINGERTIP TILT**  
Low-profile design uses the center of gravity to achieve smooth fingertip tilt. Screen angle stays set until you decide to re-adjust.
- 4 CLICKCONNECT™ TECHNOLOGY**  
**PATENT-PENDING**  
An audible click confirms flat panels are locked in place. Easy to connect/disconnect - no tools needed! Protect display by adding a padlock.

### WHAT YOU NEED TO KNOW

#### ORDERING INFORMATION

The PIWRF kit includes in-wall box with integrated swing arm – no other parts necessary. Available in Universal or Custom:

- **UNIVERSAL:** Order PIWRFUB
- **CUSTOM:** Order PIWRF2000B + PSB-xxxx  
See MountFinder™ PRO on [www.chiefmfg.com](http://www.chiefmfg.com) for custom PSB model numbers.

For 30 - 50" screens see MIWRF™ on page 40.

### SPECIFICATIONS

Roll	+/-2°
Tilt	15°
Swivel	40° Left/Right
Extension	15" (381 mm)
Dimensions* (HxWxD)	22.82" x 20.39" x 5.54" (580 x 518 x 142 mm)
Color	Black
Weight Capacity	200 lbs (90.7 kg)

\* Dimensions don't include interface bracket

### RECOMMENDED ACCESSORIES

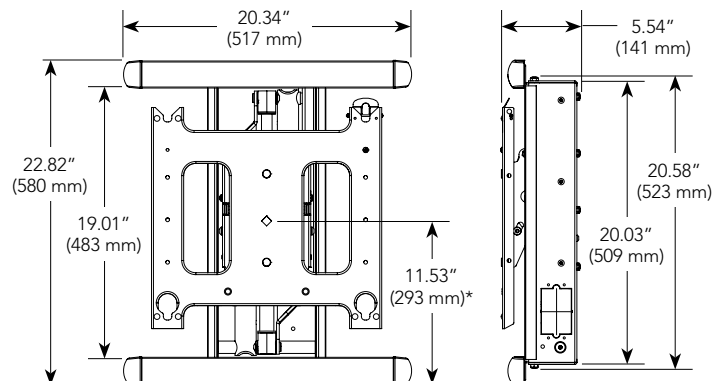


**PACCC1** ■ Center Channel Speaker Adapter



**PACLR1** ■ Left/Right Speaker Adapter

### TECHNICAL DRAWINGS



For a complete list of flat panel mount accessories see page 73.

\*Allows ±1" height adjustment