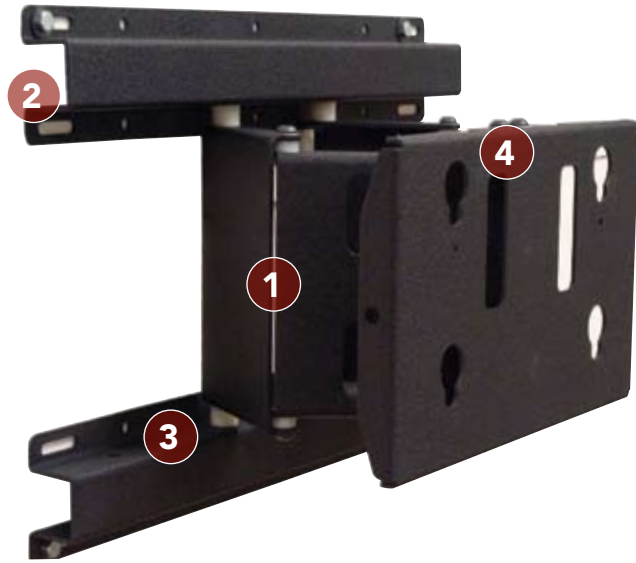




SWING ARM MOUNTS MPW™ □ 26 - 50" WALL MOUNT



FEATURES

- 1 SMOOTH EXTENSION**
Extends (8.75" 222 mm) to achieve ideal viewing angle.
- 2 LOW PROFILE**
Designed to ensure mount remains concealed behind the screen.
- 3 INTEGRATED LATERAL SHIFT**
Reposition mount left or right after installation for ultimate positioning flexibility.
- 4 SMOOTH SWIVEL**
Smooth swivel up to 45° in either direction.

WHAT YOU NEED TO KNOW

ORDERING OPTIONS

Available in custom and universal.

- MPWU = Universal 30 - 50"
- MPWV = VESA 100 x 100mm, 100 x 200 mm, 200 x 200 mm and 400 x 400 mm patterns
- MPW6000 + MSB6XXX = Custom (see MountFinder at www.chiefmfg.com)

SPECIFICATIONS

Extension	8.75" (222 mm)
Swivel	Up to 45°
Depth from Wall	1.5" (38 mm)
Dimensions* (HxWxD)	16.3" x 18" x 1.5" (414 x 457 x 38 mm)
Color	Black
Weight Capacity	125 lbs (56.7 kg)

* Dimensions don't include interface bracket

RECOMMENDED ACCESSORIES

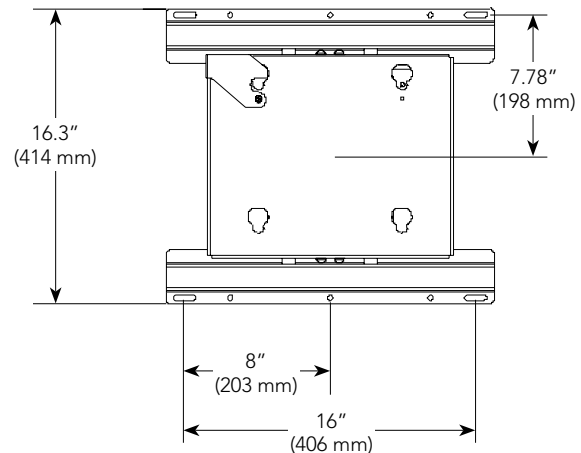


PACCC1 ■ Center Channel
Speaker Adapter



PACLR1 ■ Left/Right Speaker Adapter

TECHNICAL DRAWINGS



For a complete list of flat panel mount accessories see page 73.