

**LanScout 25-S, 37-S, 50-S**



Axsys' LanScout long wave uncooled thermal imagers offer effective surveillance solutions delivered in an economic, compact package. Exhibiting unsurpassed reliability, LanScout imagers provide striking thermal pictures every time.

The LanScout-S single field of view camera provides long wave thermal images through lens focal lengths of 25mm, 37.5mm, or 50mm. LanScouts employ an uncooled VOx microbolometer in a 320 x 240 pixel, 23.5µm pitch focal plane array. Operating in the 8-14µm spectral region, LanScouts provide superior thermal images through smoke, aerosols, and other atmospheric obscurants. Axsys' proprietary germanium optical system ensures that the uncooled sensor operates at its maximum capability, while extremely efficient coatings on interior elements enhance transmission performance. The optical front element of a LanScout camera is protected with Axsys' proprietary diamond-like hard carbon coating, designed for use in the harshest of environments, and is equipped with an automatically controlled defroster. The rugged enclosure is backfilled with dry nitrogen and environmentally sealed, eliminating the need for additional enclosures. Additionally, Axsys' user-friendly plug and play camera operation and RS-232/422 remote control capability permit ease of integration into any client-based security system.

Axsys provides leading-edge IR equipment to the security and surveillance sector. Axsys' proprietary optical designs, state-of-the-art laboratories, and vertically integrated manufacturing capabilities ensure maximum performance and dependability.

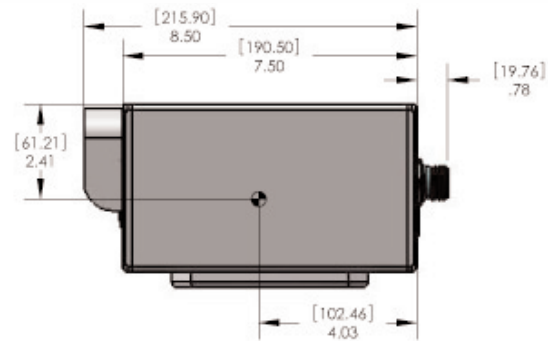
**Security/Surveillance**

**Long Wave Thermal Imaging Camera**  
**Features Include:**

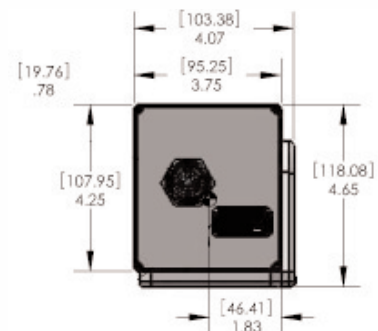
- Auto & Manual Focus
- Remote Control
- Multiple Color Palettes
- Environmentally Sealed
- Dry Nitrogen Backfilled Enclosure
- Available in 17.1°, 11.5°, & 8.6°

**Fields of View**

- Uncooled 8-14µm VOx Microbolometer Technology (23.5µm)



*LanScout 25-S, 37-S, & 50-S Side View*



*LanScout 25-S, 37-S, & 50-S Rear View*



## LanScout 25-S, 37-S, & 50-S System Specifications

<b>Axsys Part Numbers</b>	23205 (25mm). 23208 (37.5mm). 23231 (50mm).
<b>Video Format</b>	NTSC or PAL.
<b>Serial Interface</b>	RS-232/RS-422.
<b>Power Requirements</b>	5-15 VDC <5 watts typical @ steady state, 25°C.
<b>Environmental</b>	<ul style="list-style-type: none"> <li>• Unit sealed and dry nitrogen backfilled, rated IP67.</li> <li>• Front Element Defroster.</li> <li>• Operating Temperature Range: -30°C to +60°C Standard; -40°C to +60°C Optional.</li> <li>• Non-Operating Temperature Range: -40°C to +70°C.</li> </ul>
<b>Controls</b>	Controls available on a hand held pendant or through a PC via an RS-232/422 link.
<b>Mounting</b>	1/4-20 Mounting Interface.
<b>Weight</b>	~5.4 lbs. (~2.45kg).
<b>Length</b>	9.3" (23.6cm).

## Sensor Specifications

<b>Detector</b>	320 x 240 Uncooled VOx Microbolometer FPA, 23.5µm pitch.
<b>Spectral Band</b>	8-14µm.
<b>MTBF</b>	>30,000 hours.

## Optical Characteristics

<b>Spectral Range</b>	8-14µm.
<b>Lens Type</b>	Single Field of View: 25mm, 37.5mm, or 50mm focal length. Optional focal lengths available; contact Axsys representative for more information.
<b>f/#</b>	1.0.
<b>Lens Features</b>	<ul style="list-style-type: none"> <li>• Motorized remote operation.</li> <li>• Auto and manual focus adjustment.</li> </ul>
<b>Field of View</b>	17.1° x 12.9° (25-S), 11.5° x 8.6° (37.5-S), or 8.6° x 6.5° (50-S).

## Construction of Axsys Part Numbers

To construct Part Numbers, start with base code, add other desired options alphabetically, excepting that "P" must be last.  
Example: 23205B4KP

Code	Feature Referenced Options	Example (sample part number plus code)
Bn	Baud Rate (Default = 9600)	23205B3
B1	4800	
B3	19200	
B4	38400	
B5	57600	
B6	115200	
K	Sun Shield	23205K
P	PAL Video Format	23205P
T	Extended Operating Temperature Range (Arctic Option)	23205T
Vnn	Paint Color (default = Gloss White; V9 = Sand; contact Axsys for other options)	23205V9



AXSYS TECHNOLOGIES, IR SYSTEMS, INC.  
44 SIMON STREET • NASHUA, NH 03060 • USA  
+1.603.521.9300 • FAX: +1.603.521.9375  
www.axsys.com

Manufacturer reserves the right to change specifications to reflect latest changes in technology and improvements at any time without notice. Export is subject to US Government regulations.



DS010.2-0209