

LanScout 150-S



Axsys' LanScout long wave uncooled thermal imagers offer effective surveillance solutions delivered in an economic, compact package. Exhibiting unsurpassed reliability, LanScout imagers provide striking thermal pictures every time.

The LanScout 150-S single field of view camera provides long wave thermal images through a lens focal length of 150mm having a field of view of 2.9 x 2.2 degrees. The LanScout 150-S employs an uncooled VO_x microbolometer in a 320 x 240 pixel, 23.5µm pitch focal plane array. Operating in the 8-14µm spectral region, the LanScout provides superior thermal images through smoke, aerosols, and other atmospheric obscurants. Axsys' proprietary germanium optical system ensures that the uncooled sensor operates at its maximum capability, while extremely efficient coatings on interior elements enhance transmission performance. The LanScout's optical front element is protected with Axsys' proprietary diamond-like hard carbon coating, designed for use in the harshest of environments, and is equipped with an automatically controlled defroster. The rugged enclosure is backfilled with dry nitrogen and environmentally sealed, eliminating the need for additional enclosures. Additionally, Axsys' user-friendly plug and play camera operation and RS-232/422 remote control capability permit ease of integration into any client-based security system.

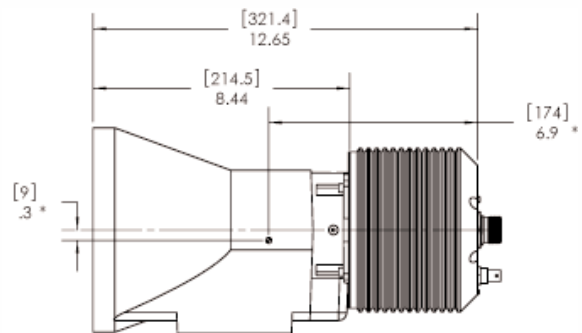
Axsys provides leading-edge IR equipment to the security and surveillance sector. Axsys' proprietary optical designs, state-of-the-art laboratories, and vertically integrated manufacturing capabilities ensure maximum performance and dependability.

Security/Surveillance

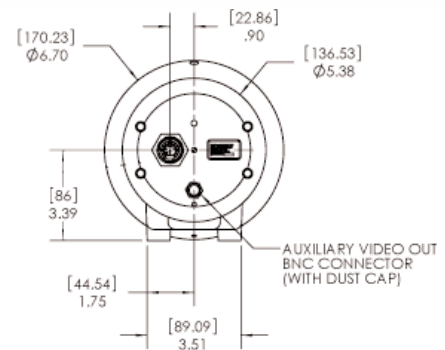
Long Wave Thermal Imaging Camera

Features Include:

- Auto & Manual Focus
- Remote Control
- Multiple Color Palettes
- Environmentally Sealed
- Dry Nitrogen Backfilled Enclosure
- 2.9° Single Field of View (150mm)
- Uncooled 8-14µm VO_x Microbolometer Technology (23.5µm)



LanScout 150-S Side View



LanScout 150-S Rear View



LanScout 150-S System Specifications

Axsys Part Number	23097MA.
Video Format	NTSC or PAL.
Serial Interface	RS-232/RS-422.
Power Requirements	5-15 VDC <5 watts typical @ steady state, 25°C.
Environmental	<ul style="list-style-type: none"> • Unit sealed and dry nitrogen backfilled, rated IP67. • Front Element Defroster. • Operating Temperature Range: -30°C to +60°C. • Non-Operating Temperature Range: -40°C to +70°C.
Controls	Controls available on a hand held pendant or through a PC via an RS-232/422 link.
Mounting	3/8-16 4-Point Interface.
Weight	~7.9 lbs. (~3.6kg).
Length	13.4" (34.1cm).

Sensor Specifications

Detector	320 x 240 Uncooled VOx Microbolometer FPA, 23.5µm pitch.
Spectral Band	8-14µm.
MTBF	>30,000 hours.

Optical Characteristics

Spectral Range	8-14µm.
Lens Type	Single Field of View, 150mm focal length.
f/#	1.0.
Lens Features	<ul style="list-style-type: none"> • Motorized remote operation. • Auto and manual focus adjustment.
Field of View	2.9° x 2.2°.

Construction of Axsys Part Numbers

To construct Part Numbers, start with base code, add other desired options alphabetically, excepting that "P" must be last. Example: 23097MAB4KP

Code	Feature Referenced Options	Example (sample part number plus code)
Bn	Baud Rate (Default = 9600)	23097MAB3
B1	4800	
B3	19200	
B4	38400	
B5	57600	
B6	115200	
K	Sun Shield	23097MAK
N	No BNC Video Output	23097MAN
P	PAL Video Format	23097MAP
Vnn	Paint Color (default = Flat White; V8 = Gloss White; contact Axsys for other options)	23097MAV8



AXSYS TECHNOLOGIES, IR SYSTEMS, INC.
 44 SIMON STREET • NASHUA, NH 03060 • USA
 +1.603.521.9300 • FAX: +1.603.521.9375
 www.axsys.com

Manufacturer reserves the right to change specifications to reflect latest changes in technology and improvements at any time without notice. Export is subject to US Government regulations.



DS013-0209