

LanScout 60/180-S



The Axsys LanScout series of long wave uncooled thermal imagers offers effective surveillance solutions delivered in an economic compact package. Exhibiting unsurpassed reliability, the LanScout imagers provide striking thermal pictures every time.

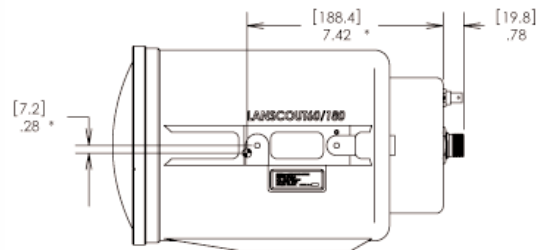
The LanScout 60/180-S is a dual field of view camera that transmits clear thermal images with a horizontal field of view of 7.2° and 2.4° in the Wide and Narrow Fields of View respectively. The LanScout 60/180-S incorporates uncooled VOx microbolometer technology in a 320 x 240, 23.5µm pitch focal plane array. Sensors operate in the 8–14µm spectral region; systems are immune to solar glint and provide high transmission through smoke or aerosols. Axsys' proprietary germanium optical system enables the uncooled sensor to operate at its maximum capability, while extremely efficient coatings on interior elements enhance transmission performance. The LanScout's optical front element, equipped with an automatically controlled defroster, is protected with Axsys' proprietary diamond-like hard carbon coating designed for use in the harshest of environments; a dry nitrogen backfilled environmentally sealed housing eliminates the need for additional enclosures. Axsys' user-friendly plug and play camera operation and RS232/422 remote control capability permit ease of integration into any client-based security system.

Axsys provides leading-edge IR equipment to the security and surveillance sector. Axsys' proprietary optical designs, state-of-the-art laboratories, and vertically integrated manufacturing capabilities ensure maximum performance and dependability.

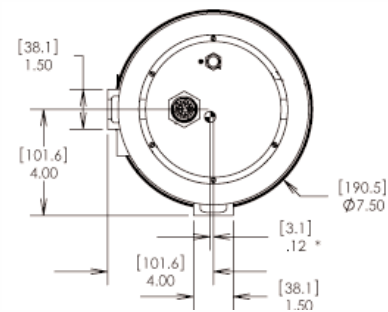
Security/Surveillance

Long Wave Thermal Imaging Camera Features Include:

- Auto & Manual Focus
- Remote Control
- Multiple Color Palettes
- Environmentally Sealed
- Dry Nitrogen Backfilled Enclosure
- 7.2° & 2.4° Dual Field of View (60/180mm)
- Uncooled 8-14µm VOx Microbolometer Technology (23.5µm)



LanScout 60/180-S Side View



LanScout 60/180-S Rear View



LanScout 60/180-S System Specifications

Axsys Part Number	23122MA.
Video Format	NTSC or PAL.
Serial Interface	RS-232/RS-422.
Power Requirements	5-15 VDC <5 watts typical @ steady state, 25°C.
Environmental	<ul style="list-style-type: none"> • Unit sealed and dry nitrogen backfilled, rated IP67. • Front Element Defroster. • Operating Temperature Range: -30°C to +60°C. • Non-Operating Temperature Range: -40°C to +70°C.
Controls	Controls available on a hand held pendant or through a PC via an RS-232/422 link.
Mounting	1/4-20 Mounting Interface.
Weight	~15 lbs. (~6.8kg).
Length	12.9" (32.8cm).

Sensor Specifications

Detector	320 x 240 Uncooled VOx Microbolometer FPA, 23.5µm pitch.
Spectral Band	8-14µm.
MTBF	>30,000 hours

Optical Characteristics

Spectral Range	8-14µm.
Lens Type	Dual Field of View 60mm/180mm focal lengths.
f/#	0.87 WFOV/1.0 NFOV.
Lens Features	<ul style="list-style-type: none"> • Motorized remote operation. • Auto and manual focus adjust. • Dual Field of View.
Field of View	7.2° x 5.4° and 2.4° x 1.8°.

Construction of Axsys Part Numbers

To construct Part Numbers, start with base code, add other desired options alphabetically, excepting that "P" must be last. Example: 23122MAB4KP

Code	Feature Referenced Options	Example (sample part number plus code)
Bn	Baud Rate (Default = 9600)	23122MAB3
B1	4800	
B3	19200	
B4	38400	
B5	57600	
K	Sun Shield	23122MAK
N	No BNC Video Output	23122MAN
P	PAL Video Format	23122MAP
Vnn	Paint Color (default = Flat White; V8 = Gloss White; contact Axsys for other options)	23122MAV8



AXSYS TECHNOLOGIES, IR SYSTEMS, INC.
 44 SIMON STREET • NASHUA, NH 03060 • USA
 +1.603.521.9300 • FAX: +1.603.521.9375
 www.axsys.com

Manufacturer reserves the right to change specifications to reflect latest changes in technology and improvements at any time without notice. Export is subject to US Government regulations.



DS026-0209