

ExtremeX/ExtremeX-S

Security/Surveillance



ExtremeX (Tri-Field)
ExtremeX4 (Quad-Field)

Long Range Thermal Imaging Camera
Features Include:

- Auto & Manual Focus
- High Sensitivity Mode
- Dry Nitrogen Backfilled
- Remote Control Capability
- Optional Digital Video Output
- Cooled 3-5µm IR Detector Technology
- Three or Four Fields of View

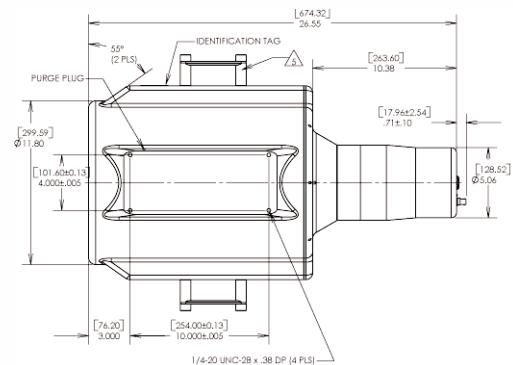
Tri-Field: 0.55°, 1.1°, 2.2° (1000/500/250mm)

Quad-Field: 0.55°, 1.1°, 2.2°, 5.8° (1000/500/250/95mm)

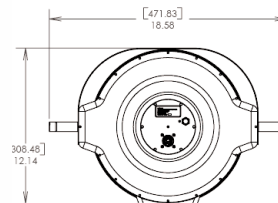
The Axsys ExtremeX is a commanding solution to the long range thermal imaging requirements of the security and surveillance sector. A rugged camera with extensive detection capabilities and the option of three or four fields of view, the ExtremeX/ExtremeX4 combines impressive performance with Axsys reliability and ease of use.

The ExtremeX has the most powerful detection capacity of Axsys' thermal imagers. It provides the ability to alternate rapidly among up to four focal lengths: 95 (X4 only), 250, 500, and 1000mm. Operating in the 3-5µm spectral region, the best choice for marine and high humidity environments, the ExtremeX incorporates advanced cooled photodetector technology in a 320 x 256 InSb, 30µm pitch focal plane array, or optionally a 640 x 512, 15µm pitch focal plane array for maximum resolution (ExtremeX-S). Axsys' proprietary environmentally sealed, nitrogen backfilled enclosure ensures simple secure installation and stability over variable temperatures and conditions. Remotely controlled and user friendly, the ExtremeX employs plug and play operation.

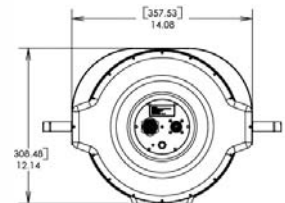
Axsys provides leading-edge IR equipment to the security and surveillance sector. Axsys' proprietary optical designs, state-of-the-art laboratories, and vertically integrated manufacturing capabilities ensure maximum performance and dependability.



ExtremeX/X4 Bottom View



ExtremeX/X4 Rear View



ExtremeX/X4 Rear View, Digital



ExtremeX System Specifications

Axsys Part Number	23047M (Tri-Field). 23195M (Quad-Field).
Video Format	NTSC, PAL, or optional digital output.
Serial Interface	RS-232/RS-422.
Power Requirements	11–16 VDC, 18 Watts typical @ 25°C steady state (ExtremeX), 10.5–36 VDC, 30 Watts typical @ 25°C steady state (ExtremeX-S).
Environmental	<ul style="list-style-type: none"> • Unit sealed and dry nitrogen backfilled, rated IP67. • Front Element Defroster. • Operating Temperature Range: -32°C to +60°C. • Non-Operating Temperature Range: -40°C to +70°C.
Controls	Controls available on a hand held pendant or through a PC via an RS-232/422 link.
Mounting	¼-20 Tripod Interface. Axsys AntiVibration Mount (optional).
Weight	<42 lbs. (19.1kg).
Length	<29.5" (75cm).

Sensor Specifications

ExtremeX Detector	320 x 256 InSb, FPA 30µm pitch.
ExtremeX-S Detector	640 x 512 InSb, FPA 15µm pitch (add "Z" suffix to part number; see table below).
Spectral Band	3–5µm.

Optical Characteristics

Spectral Range	3–5µm.
Lens Type	Tri-Field of View, 250mm/500mm/1000mm or Quad-Field of View, 95mm/250mm/500mm/1000mm.
f/#	4.
Lens Features	<ul style="list-style-type: none"> • Motorized Remote Operation. • Auto and Manual Focus Adjust. • Tri-or Quad-Field of View.
Field of View	5.8° x 4.3° (Extra Wide--optional Quad-Field), 2.2° x 1.7° (Wide), 1.1° x 0.8° (Mid), 0.55° x 0.41° (Narrow).

Construction of Axsys Part Numbers

To construct Part Numbers, start with base code, add other desired options alphabetically, excepting that "P" must be last. Example: 23047MB4KP

Code	Feature Referenced Options	Example (sample part number plus code)
Bn	Baud Rate (Default = 9600)	23047MB3
B1	4800	
B3	19200	
B4	38400	
B5	57600	
B6	115200	
D	Digital Video Option	23195MD
K	Sun Shield	23047MK
N	No BNC Video Output	23047MN
P	PAL Video Format	23195MP
Vnn	Paint Version	23047MV4
Z	640 X 480 Sensor Option	23195MZ



AXSYS TECHNOLOGIES, IR SYSTEMS, INC.
44 SIMON STREET • NASHUA, NH 03060 • USA
+1.603.521.9300 • FAX: +1.603.521.9375
www.axsys.com

Manufacturer reserves the right to change specifications to reflect latest changes in technology and improvements at any time without notice. Export is subject to US Government regulations.



DS016-0209