

Ikegami

High Performance, Super Cube DSP
Day/Night Camera

ICD-505



Features

- Digital Processing
- High Quality Picture and High Resolution (520 TVL)
- High Sensitivity Design (Day / Night Mode - ACK ON)
- Back Light Compensation
- 2-Way Automatic Iris Controlling Function
- Automatic White Balance
- Fringe Focal Distance Adjusting Mechanism
- The Camera measures 53mm in depth in order to fit in a limited space

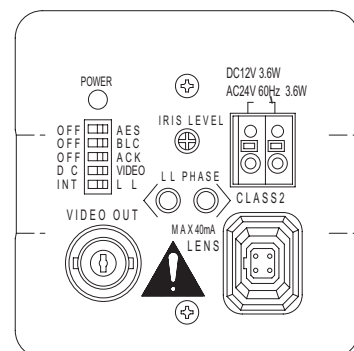
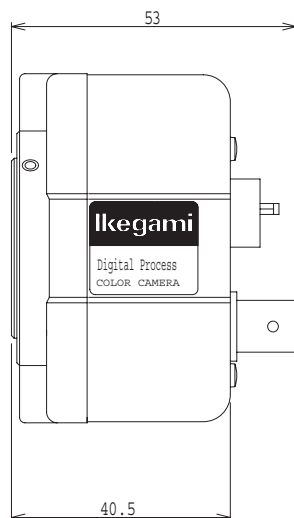
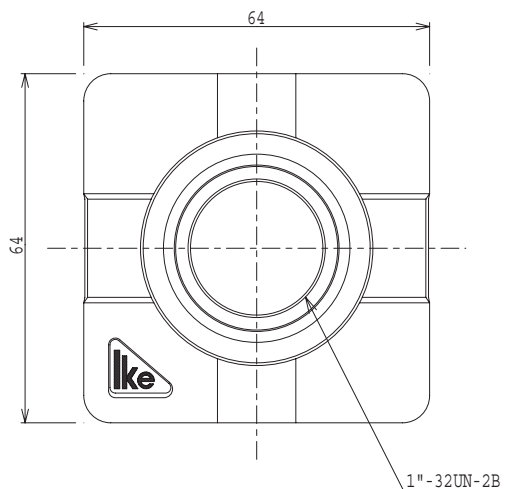
ICD-505 High Performance, Super Cube DSP Day/Night Camera

Specifications

Imaging Device: 1/3" Interline Transfer CCD
No. of Effective Picture Element: Approx. 380,000 pixels, 768(H) x 494(V) Line
Scanning Area: 4.8 (H) x 3.6(V) mm
Horizontal Resolution: 520 Lines
Minimum Ill: ACK Off (Color):
F1.2 0.35 lux (30IRE), 0.7 lux (50IRE)
F1.0 0.25 lux (30IRE), 0.5 lux (50IRE)
ACK On (Monochrome):
F1.2 0.15 lux (30IRE), 0.3 lux (50IRE)
F1.0 0.10 lux (30IRE), 0.2 lux (50IRE)
S/N Ratio: 48dB/rms or better
TV System: 2:1 Interlace, NTSC system
Int. Sync System: Crystal lock or Line lock (phase adjustable)
V Sync Frequency: INT: 59.94Hz
Line Lock: 60Hz
H Sync Frequency: INT: 15.734KHz
Line Lock: 15.750KHz

Video Output: VBS 1.0Vp-p 75Ω
White Balance: TTL Method, ATW
Backlight Compensation: On/Off Switchable(BLC)
AES: On/Off Switchable, AES 1:1600
ACK: On/Off Switchable
Auto Iris Function: Video Iris/DC Iris Switchable
Flange Focal Distance Adjustment Function: Provided.
Lens Mount: CS Mount
Camera Mount: 1/4"-20UNC (top and bottom)
Ambient Operating Temperature: -10 ~ +50 deg.C
Power Supply: AC24V +/- 10% 60Hz/DC 12V
Power Consumption: Approx 3.6W
Input/Output Connectors:
(1) Video Output: BNC
(2) AC24V/DC12V: 2-pin Terminal
(3) Lens: 4-pin Connector

External Dimension (WHD):
2.52" x 2.52" x 2.09" (64 x 64 x 53 mm)



Design and specifications are subject to change without notice.

Ikegami

IKEGAMI ELECTRONICS (U.S.A.), INC.

URL <http://www.ikegami.com>

**HEADQUARTERS
WESTCOAST OFFICE**

37 Brook Avenue, Maywood, NJ 07607 Phone (201)368-9171 Fax (201)569-1626
2631 Manhattan Beach Blvd., Redondo Beach, CA 90278
Phone (310)297-1900 Fax (310)536-9550

**SOUTHWEST OFFICE
MIDWEST OFFICE
SOUTHEAST OFFICE**

773 Bearden Road, Waxahachie, TX 75167 Phone (972)869-2363 Fax (972)556-1057
747 Church Road, Unit C1, Elmhurst, IL 60126 Phone (630)834-9774 Fax (630)834-8689
5200 N.W. 33rd Avenue, Suite 111, Fort Lauderdale, FL 33309
Phone (954)735-2203 Fax (954)735-2227